

# HX10E 1150X540 INOX

## STAINLESS STEEL ELECTRIC SCISSOR LIFT - IP65



### STAINLESS STEEL

The HX10E stainless steel scissor lift makes possible an easy and light lifting to a height of 800 mm thanks to the reliable electric motor and to the powerful GEL battery keeping the goods at the suitable height to collect/deposit the loads, reducing the operator's effort. Entirely built in stainless steel AISI 304 (including the pump and the hydraulic components) suitable to work in the aggressive and corrosive environments where the cleaning and the hygiene are the most required values and where there is serious problem of corrosion related to the use of corrosive acids and saline solutions.



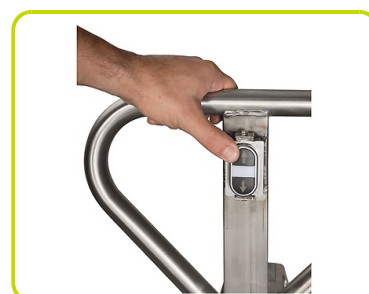
### EQUIPPED FOR DEMANDING APPLICATIONS

IP65 protection, AISI 304 stainless steel electro polished, sealed waterproof bearings, polyamide bushings make HX10E INOX match the food industry regulations. It is the ideal and clean solution for the handling in the agrifood, chemical and pharmaceutical industries. It is corrosion-proof, maneuverable and ergonomic and it is built to withstand regular high-pressure cleaning and disinfection satisfying the strictest hygienic regulations.



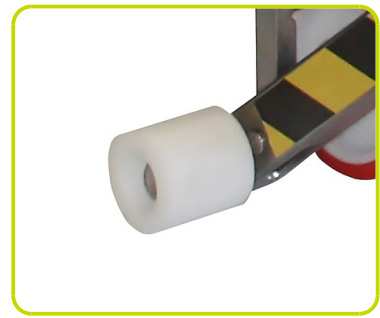
### TILLER

The handle offers an ergonomic tiller and an electric switch for lifting and lowering operations. The tiller design ensures operator comfort on pushing operations.



## REAR STABILIZERS

The control linkage makes possible the entry on the closed side of the pallet by a slight lifting, which facilitates the successive handling phases. Furthermore, machine stability is achieved by using load rollers in a more advanced position. Work is made stable and safe with the rear stabilizers, also when the working height exceeds the 400 mm and in the case of heavy loads.



## SAFETY AND EFFICIENCY

The emergency pushbutton with function of battery cut-off switch (isolator) and the off-load valve allowing a smoother lowering of the load are some of the devices that make the work safer and more efficient.



## STANDARD EQUIPMENT

GEL 12V/75Ah battery: big size for long endurance also on low temperature environment, deep cycle gel is safe (no acid – vapor spilling out) and do not need maintenance.

ON-BOARD battery charger with extendable power charger cable.

Battery status indicator visible from the maneuvering station.



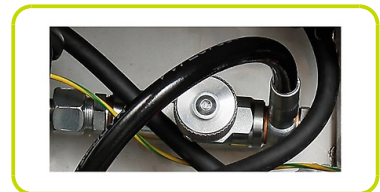
## EASY MAINTENANCE

Simple construction with a design that allows a really easy maintenance: the access to lifting motor, battery and charger can be done just removing few bolts and without lifting the unit.



## ADJUSTABLE FORK LOWERING SPEED

The machine is equipped with an adjustable valve that regulates the oil flow during the lowering operation. This means to have the possibility to regulate the lowering fork speed depending on the various application. Such adjustment can be easily done through the knob positioned inside the battery compartment.



## OPTIONS

- Stainless steel AISI 316
- Tailor-made chassis to handle special loads
- Custom forks length and width



## Descripción

1.3 Grupo tracción			Manual
1.4 Conducción			Acompañante
1.5 Capacidad carga	Q	Kg	1000
1.6 Centro gravedad	c	mm	600
1.8 Distancia de la carga	x	mm	155
1.9 Distancia entre ejes	y	mm	1230

## Pesos

2.1 Peso		Kg	150
2.2 Carga sobre ejes con carga, atras		Kg	610
2.2 Carga sobre ejes con carga, delante		Kg	542
2.3 Carga sobre ejes sin carga, delante		Kg	42
2.3 Carga sobre ejes sin carga, atras		Kg	110

## Chasis/Ruedas

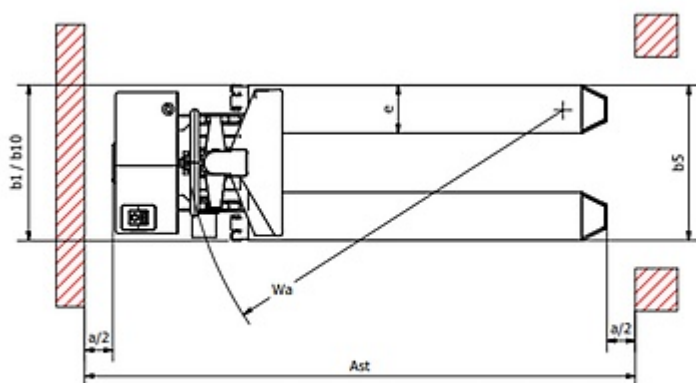
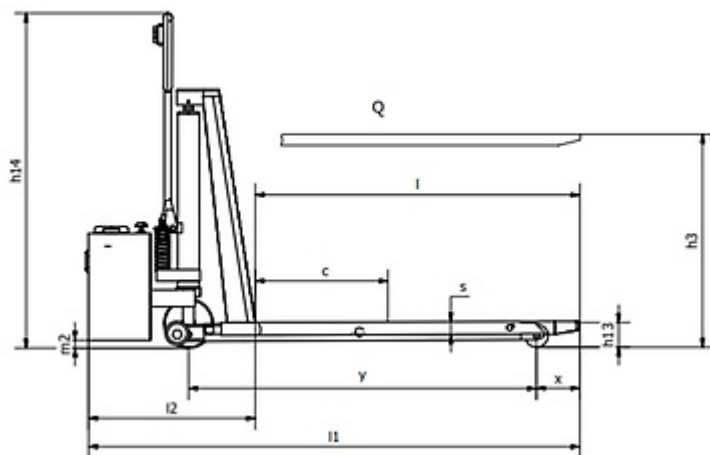
3.1 Ruedas delanteras			NYLON/POLY
3.1 Ruedas traseras			POLY
3.2 Dimensiones ruedas delanteras - Ancha		mm	85
3.2 Dimensiones ruedas delanteras - Diametro		mm	175
3.3 Dimensiones ruedas traseras - Diametro		mm	82
3.3 Dimensiones ruedas traseras - Ancha		mm	90
3.5 Dimensiones ruedas traseras - Q.ty (X=motriz)		nr	2
3.5 Dimensiones ruedas delanteras - Q.ty (X=motriz)		nr	2
3.6 Vía delantera	b10	mm	550
3.7 Vía trasera	b11	mm	550

## Dimensiones

4.4 Elevación	h3	mm	715
4.9 Altura del timón min	h14	mm	1190
4.15 Altura horquillas bajadas	h13	mm	85
4.19 Longitud total	l1	mm	1740
4.20 Longitud de timón a horquillas	l2	mm	590
4.21 Ancho total	b1	mm	550
4.22 Dimensiones horquillas	s	mm	85
4.22 Dimensiones horquillas	e	mm	170
4.22 Dimensiones horquillas	l	mm	1150
4.25 Ancho horquillas	b5	mm	550
4.32 Altura libre inferior, con carga, al centro entre ejes	m2	mm	30
4.34 Pasillo de trabajo para palet 800x1200 longit.	Ast	mm	1950
4.35 Radio de giro	Wa	mm	1345

## Motores eléctricos

6.2 Potencia del motor de elevación	kW	0.8
6.4 Voltaje batería	V	12
6.4 Battery capacity, Min	Ah	75
6.4 Battery capacity, Max	Ah	75
6.5 Peso de batería, mínimo	Kg	23.5
6.5 Peso de batería, máximo	Kg	23.5
8.4 Nivel sonoro al oído del conductor	dB(A)	67



The information is aligned with the Data file at the time of download. Printed on 07/03/2021 (ID 11239)

©2021 | PR INDUSTRIAL s.r.l. | All rights reserved | Image shown may not reflect actual package. Specifications subject to change without notice

